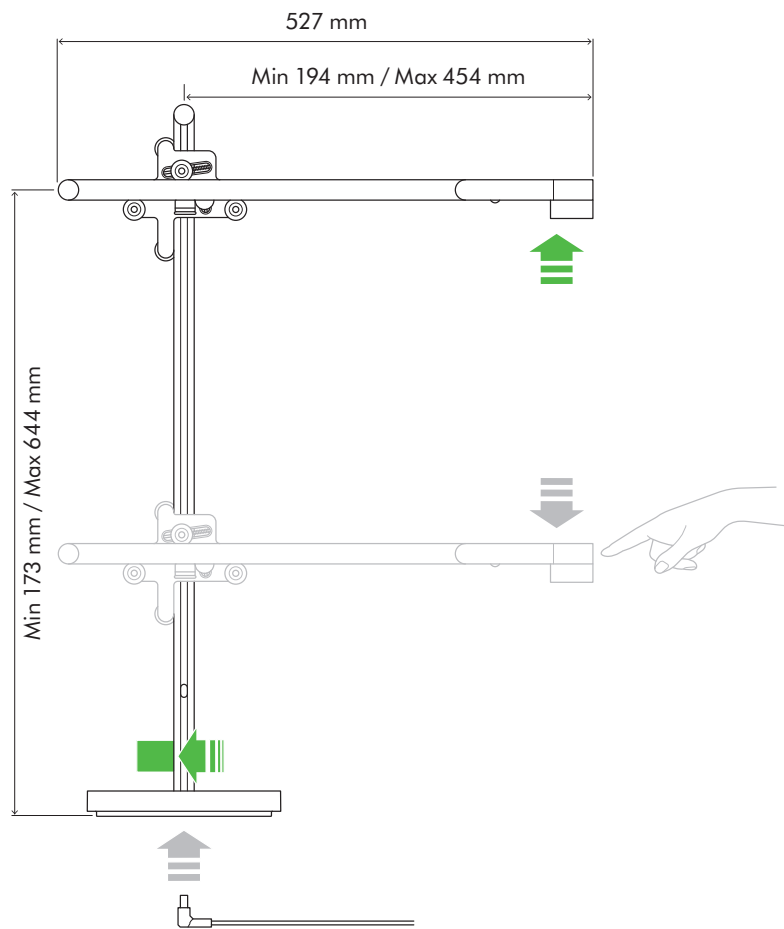


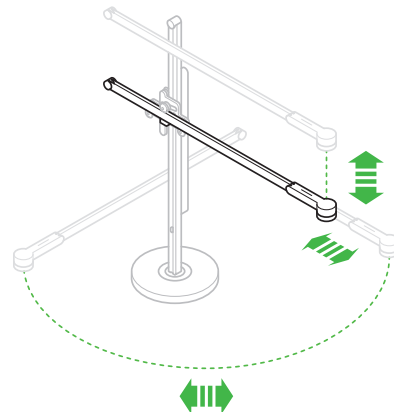
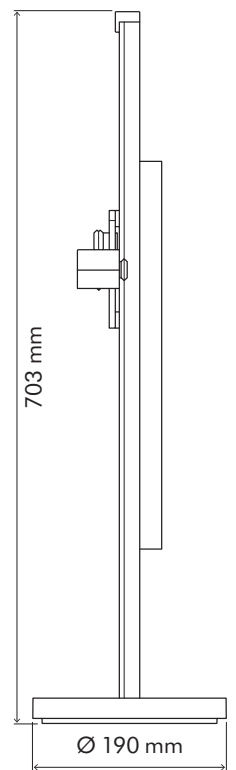
TECHNICAL SPECIFICATION



FRONT ELEVATION



SIDE ELEVATION



Dimensions with arm not extended

Height 703 mm Width 527 mm Depth 190 mm

For further information please contact Dyson.
0800 345 7788
www.dyson.co.uk

dyson lightcycle desk

Electrical

Input voltage / Frequency: 100-240V 50/60Hz

Rated power: 15.8W

Power supply cord length: 3.2m

Electrical class: Class III

Optical

Light source: LED

Light output: 1120lm

Light output ratio: 82.1%

Luminous efficacy: 71lm/w

LED life time: 181,000 hours¹

Colour temperature: 2700K – 6500K

CRI: 90 MIN

R9: 48 MIN

Standby power consumption: <0.5W

Beam angle: 78 degrees

IP rating: Indoor use only

Operating temperature range: 0°-40°C, 32°-104°F

Flicker: <1%

Average lux level at full height, extension and max output
(at 630 mm over 800 mm diameter area): 1194lx

Features

USB-C charging point: 1.5A at 5V

Bluetooth® wireless technology

Construction

Materials: Aluminium / Copper / Steel / Polycarbonate Plastic

Operation

Precision dimming

Logistics

Net weight: 4.13kg

Packaged weight: 5.69kg

Packaged dimensions: 282.5 mm (L) x 99.5 mm(W) x 809 mm (H)

Accreditation

Complies with

UL 153

CSA C22.2#250.4

IEC/EN 60598-1, IEC/EN 60598-2-4

AS/NZS 60598.1, AS/NZS 60598.2.4

GB 7000.1; GB7000.204; GB4943.1

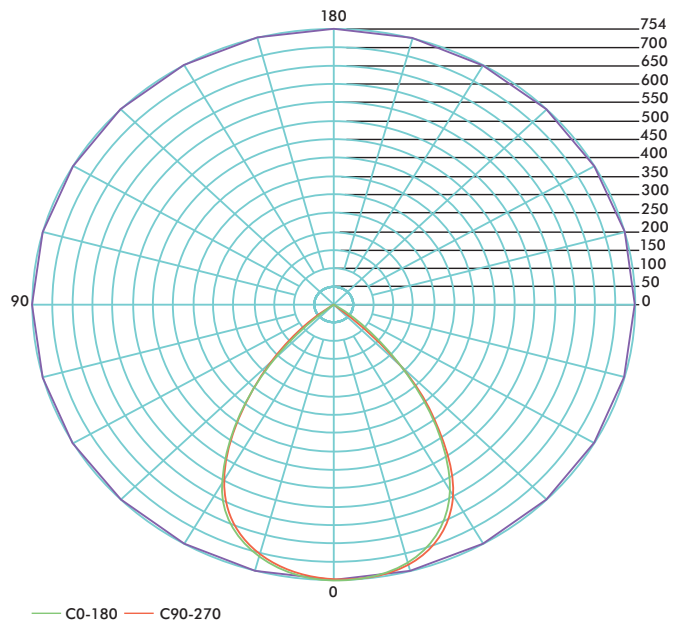
IEC 60598-1, IEC 60598-2-4

IEC60598-1, IEC 60598-2-4

Standard guarantee

5 years parts and labour

Polar plot



Product range

White/Silver



Black/Black



¹LED-life calculation is based on L70 measurement according to IEC, with an estimation of 8 hours' usage per day. Real-life results may vary.